

## PC, PL mini series



### Ordering code

**PC 6 01 - M**



#### ① Model

PC: Male connector



PL: Male elbow



#### ② Port size

3.2:  $\Phi$  3.2mm  
4:  $\Phi$  4mm  
6:  $\Phi$  6mm

#### ③ Thread connection

Thread connection	Adaptable port size
M3: M3X0.5	$\Phi$ 3.2, $\Phi$ 4
M5: M5X0.8	$\Phi$ 3.2, $\Phi$ 4, $\Phi$ 6
01: PT1/8	$\Phi$ 4, $\Phi$ 6

#### ④ Style type

M: Mini type

### Table for interface port and tube O.D.

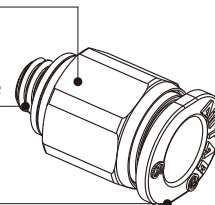
Product series	Thread type	Port size		
		$\Phi$ 3.2	$\Phi$ 4	$\Phi$ 6
PC/PL	M3	●	●	
	M5	●	●	●
	PT1/8		●	●

### Specification

<b>Operating pressure range</b>	<b>0~10kgf/cm<sup>2</sup>(0~1.0MPa)</b>
Negative pressure	-750mmHg(10Torr)
Proof pressure	1.5MPa
Ambient and fluid temperature (°C)	-20~70
Applicable tubing	Soft nylon or polyurethane

### Product feature

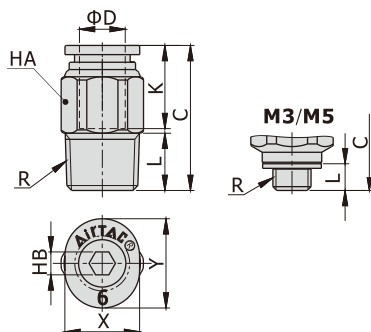
1. The compact appearance space saving.
2. The threaded portion is covered with sealant and the M3/M5 thread is attached with a sealing gasket to prevent air leakage over the connection thread portion.
3. Grey is optional for the release button.



## PC, PL mini series

### Dimensions

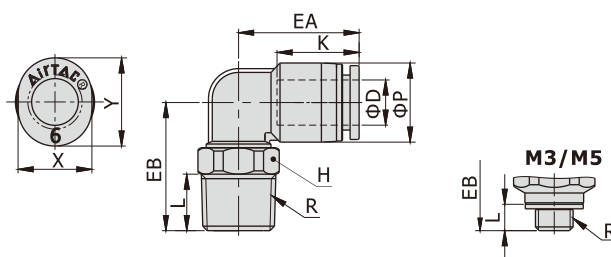
#### PC Series



[Unit: mm]

Model\Item	ΦD	R	L	C	K	X	Y	HA	HB	Weight(g)
PC3.2M3-M	3.2	M3×0.5	3	16	11.5	6.8	8.7	7	1.5	1.7
PC3.2M5-M		M5×0.8	13.5	16	11.5	6.8	8.7	7	2	2.0
PC4M3-M	4	M3×0.5	3	17.5	12.5	7.8	9.5	8	1.5	2.4
PC4M5-M		M5×0.8	3.5	17	12.5	7.8	9.5	8	2	2.7
PC401-M		PT1/8	7.5	17.5	13.5	7.8	9.5	10	3	5.5
PC6M5-M	6	M5X0.8	3.5	18.5	13.5	9.8	11.7	10	2	3.6
PC601-M		PT1/8	7.5	19.0	13.5	9.8	11.7	11	4	6.0

#### PL Series



[Unit: mm]

Model\Item	ΦD	R	ΦP	L	K	EA	EB	H	X	Y	Weight(g)
PL3.2M3-M	3.2	M3×0.5	7.5	3	12	14.5	14	7	6.8	8.7	2.4
PL3.2M5-M		M5×0.8		3.5	12		14.5	7	6.8	8.7	2.7
PL4M3-M	4	M3×0.5	8.5	3	12.5	15	14	7	7.8	9.5	3.0
PL4M5-M		M5×0.8		3.5	12.5		14.5	7	7.8	9.5	3.3
PL401-M		PT1/8		7.5	12.5		16	10	7.8	9.5	6.2
PL6M5-M	6	M5X0.8	10.5	3.5	13.5	16.0	15.5	7	9.8	11.7	4.0
PL601-M		PT1/8		7.5	13.5		16.5	10	9.8	11.7	6.8